

AOPico Montauk Series

Industrial UV picosecond laser

- All-in-one design
- Crystal indexing
- Burst mode
- Pulse-on-demand
- Through a 5V TTL signal to achieve POD function



► Features & Benefits:

The all-in-one design makes the laser more compact and reduces the total weight. It saves space for installation on the customer side, lowers the integration cost and simplifies the installation process. The water-cooled design allows the laser to work reliably in various harsh and extreme environments and makes the laser to be the ideal candidate for the 7x24 non-stop production needs. The output power of 5W, 15W, and up to 30W are available for selection. The pulse width is around 10 ps across the repetition rate range of 100 k to 1600 k. With pulse energy of 50 μ J, burst mode and PoD function, it is the perfect candidate for various application areas, including PCB hole drilling, ink removal, and so on.

The excellent beam quality ($M^2 < 1.2$), beam roundness (>90%), and pulse stability make it a perfect choice for applications of OLED cutting and drilling, PI/FPC cutting, mobile phone antenna cutting, etc.



PI cutting



FPC cutting



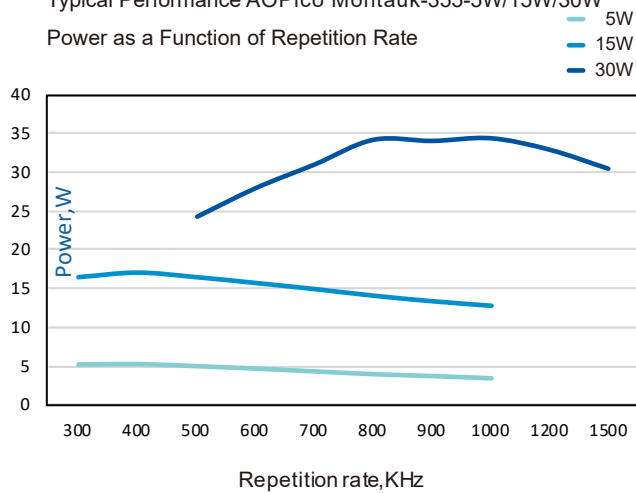
OLED cutting



Polarizer cutting

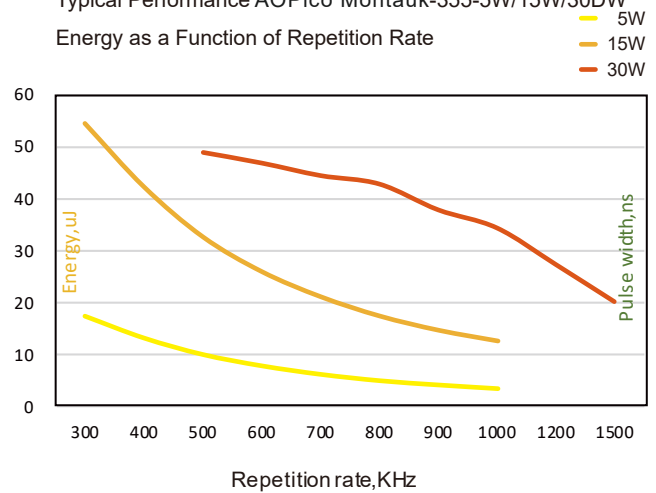
Typical Performance AOPico Montauk-355-5W/15W/30W

Power as a Function of Repetition Rate



Typical Performance AOPico Montauk-355-5W/15W/30DW

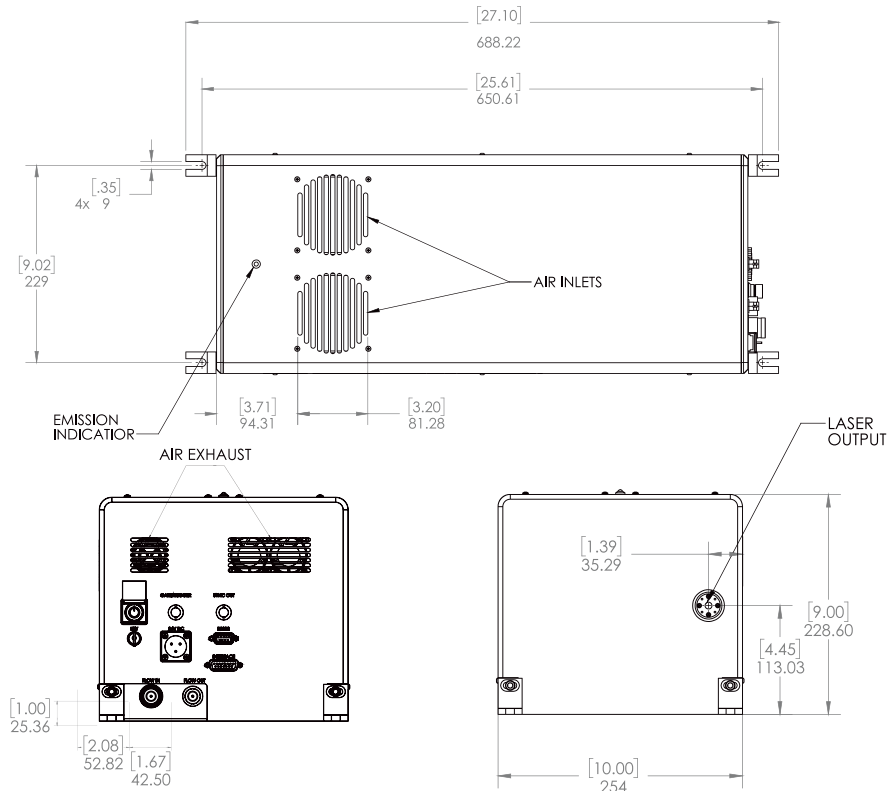
Energy as a Function of Repetition Rate



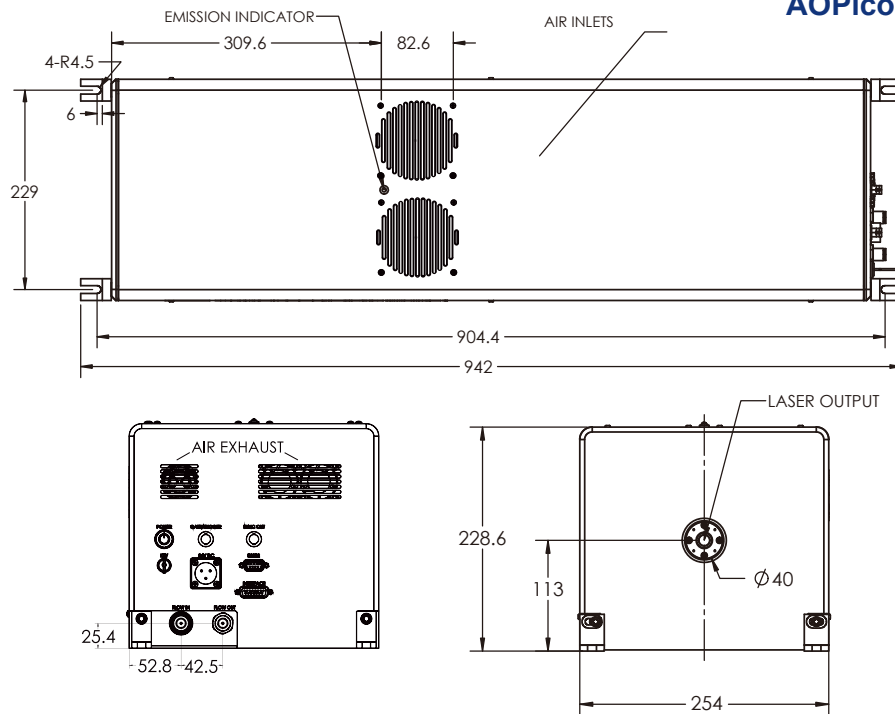
| AOPico Montauk 355 | | | |
|---|--------------------------|------------|-------------|
| Specification | 5W-500K | 15W-500K | 30W-1000K |
| Wavelength (nm) | 355 | | |
| Average Power (Watts) | >5W | >15W | >30W |
| Energy (µJ) | >10@500KHz | >30@500KHz | >30@1000KHz |
| Specified Repetition Rate(kHz) | 500 | 500 | 1000 |
| Repetition Rate (kHz) | 300-1000 | 300-1000 | 500-1600 |
| Pulse Width (ps) | <12 | | |
| Beam Quality (M ²) | <1.2 | | |
| Beam Roundness (%) | >90 | | |
| Beam Diameter (mm) | ~3.5 | | |
| Beam Divergence (mRad) | <0.5 | | |
| Point Stability (µrad/°C) | <20 | | |
| Polarization Ratio | 100:1 Linear, Horizontal | | |
| Pulse-to-Pulse Stability (% RMS) | <2 | | |
| Average Power Stability(% over12 hours) | <3 | | |
| Cold Start Warm-Up (mins.) | <40 | | |
| Standby Warm-Up (mins.) | <15 | | |
| Operational Temperature Range (°C) | 15-40°C | | |
| Operation Humidity Range (%) | 20 to 80,non-condensing | | |
| Storage Temperature Range (°C) | - 20 to 50 | | |
| Storage Humidity Range (%) | 20 to 80,non-condensing | | |
| Input Voltage (VDC)/Rated Power(W) | 24/600 | | 24/1000 |
| Communication | RS232 | | |
| Cooling | Water | | |

AOPico Montauk SERIES

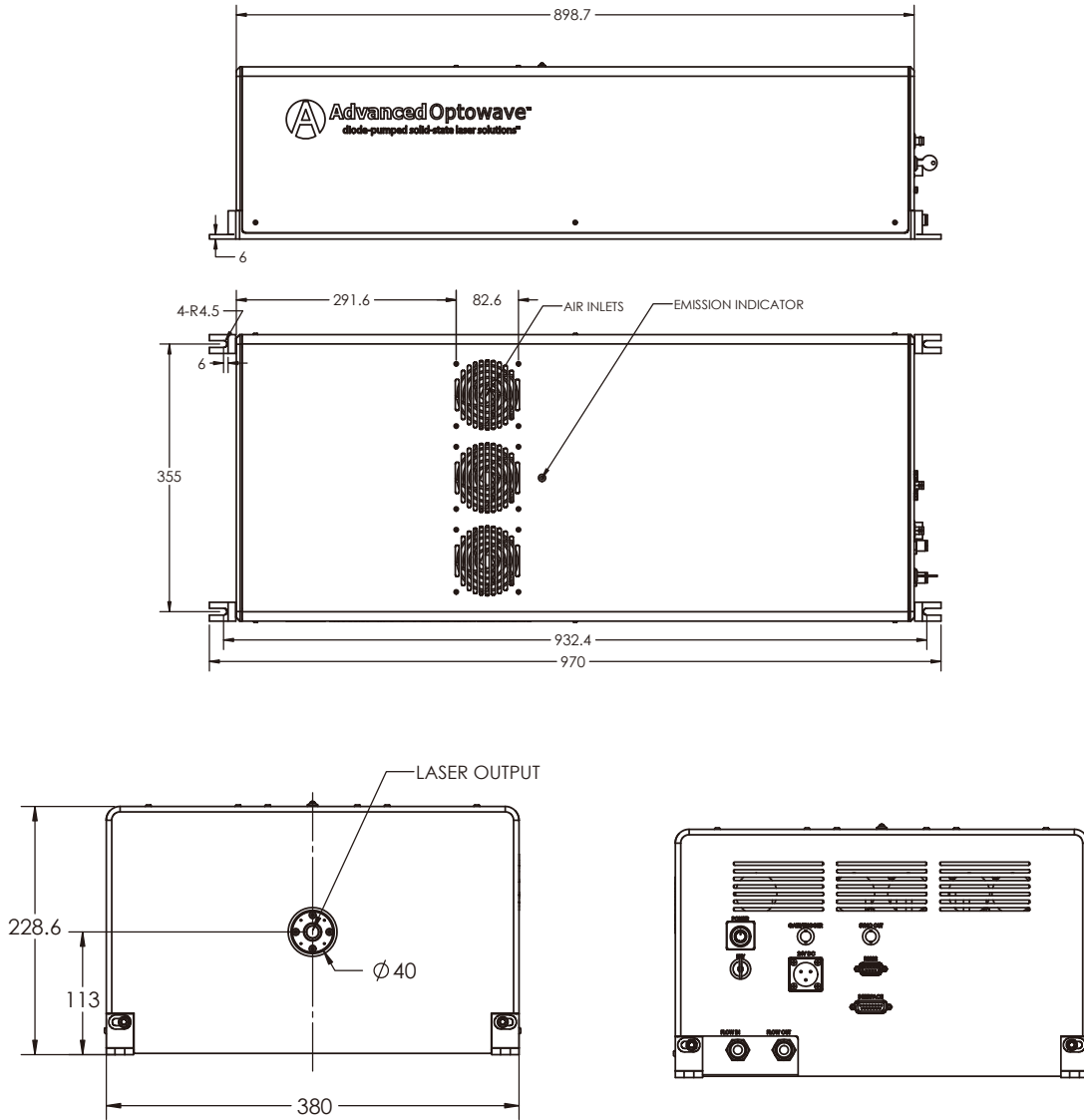
AOPico Montauk -355 Laser Size



AOPico Montauk-355-5W



AOPico Montauk-355-15W



AOPico Montauk-355-30W